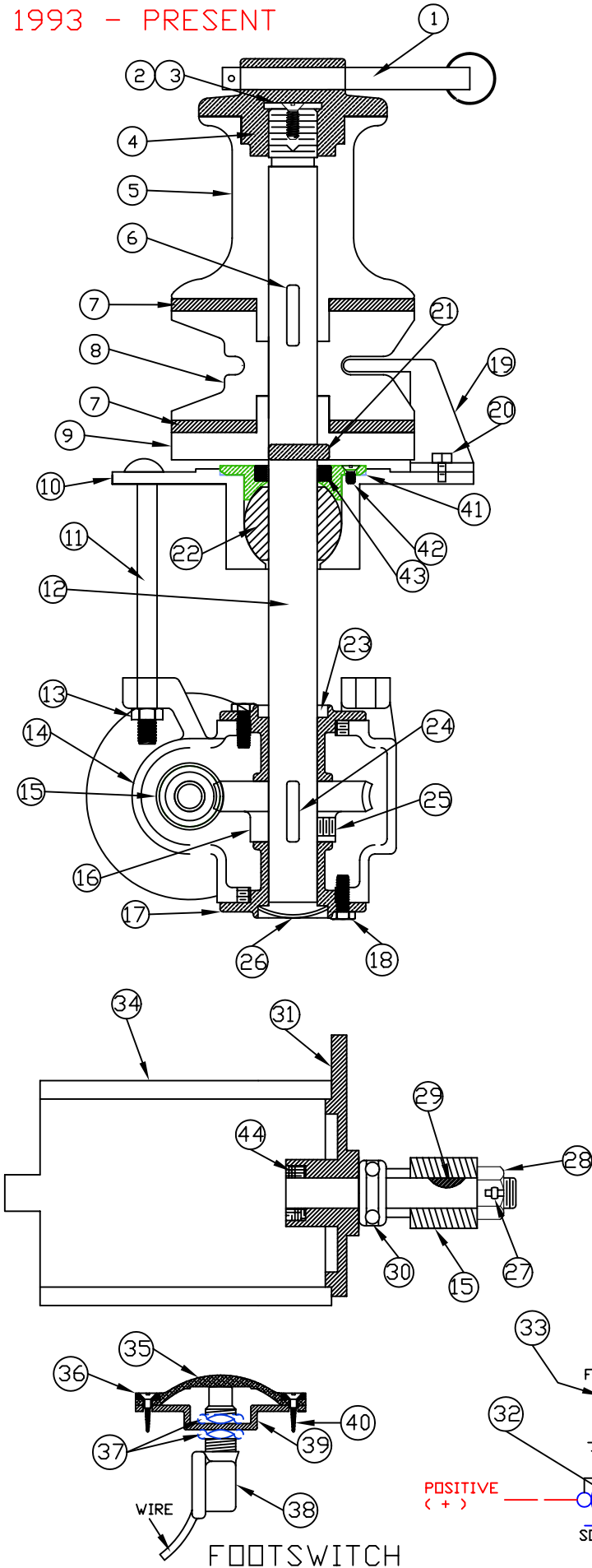


PARTS LIST MODEL V1C
1993 - PRESENT



ITEM	QTY	PART #	NAME
1	1	MCW-4	CAPSTAN WRENCH spanner
1	1	MCW-4A	CAPSTAN WRENCH rod
2	1	CS-10	CAPSTAN SCREW
3	1	CW-10	CAPSTAN WASHER
4	1	MCW-4	CAPSTAN CAP
4	1	MCW-4	CAPSTAN CAP
5	1	MCW-1	CAPSTAN
6	1	CK-35	CAPSTAN KEY
7	2	CWM-9	FRICTION DISCS
8	1	CWM-10	WILDCAT
9	1	CWM-8	LOWER FRICTION PLATE
10	1	MM-26	DECK PLATE
11	3	DB-35	DECK BOLTS
12	1	MCW-3	MAIN SHAFT
13	3	NU-35	NUTS
14	1	MM-01	GEAR CASE
15	1	A-20	MOTOR WORM
16	1	AM-12	WORM GEAR
17	2	AM-16	BEARING CAP
18	6	FA-35	SET SCREW
19	1	ADX-3A	CHAIN STRIPPER
20	2	FA-35	CHAIN STRIPPER BOLTS
21	1	DP-35	DRIVE PIN
22	1	BA-35	BALL BUSHING
23	1	OS-35	OIL SEAL
24	1	WK-35	WORM KEY
25	2	SS-35	SET SCREW
26	1	EX-35	EXPANSION PLUG
27	1	CP-35	COTTER PIN
28	1	CN-35	RETAINING NUT
29	1	WK-09	MOTOR WORM KEY
30	1	GT-3	THRUST BEARING
31	1	AM-3	END BELL
32	1	SO-12	SOLENOID non reversing
32	1	SO-12REV	SOLENOID reversing
33	1	FSB	FOOTSWITCH complete
34	1	MM-350-12	MOTOR W/OUT GEAR & BRG
34	1	MMC-350-12	MOTOR W/ GEAR & BRG
35	1	FSA-1B	RUBBER COVER
36	1	FSA-3	MOUNTING RING
37	2	FSA-7	SWITCH MOUNTING NUTS
38	1	ELM-DC	SWITCH ELEMENT
39	1	FSA-2	MOUNTING PLATE
40	6	FSA-6SS	MOUNTING SCREWS
41	1	MM-26A	BALL CAP
42	3	FA-1032FH	BALL CAP SCREWS
43	1	BS-35	BALL CAP SEALS
44	1	MM-87	MOTOR OIL SEAL