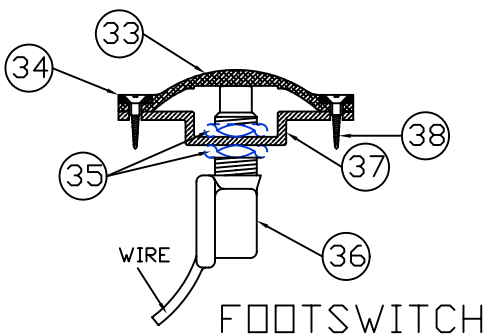
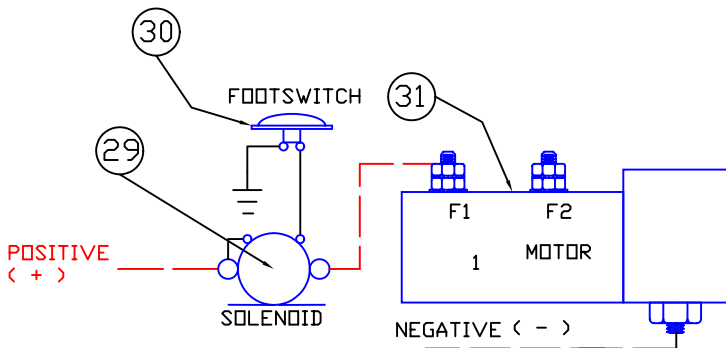
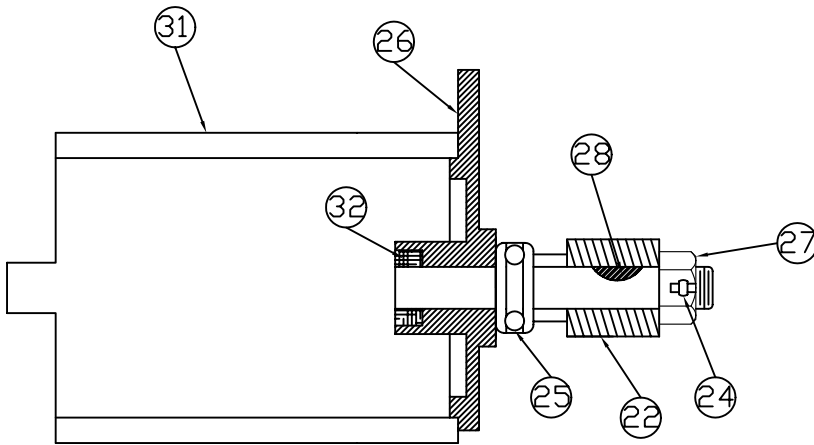
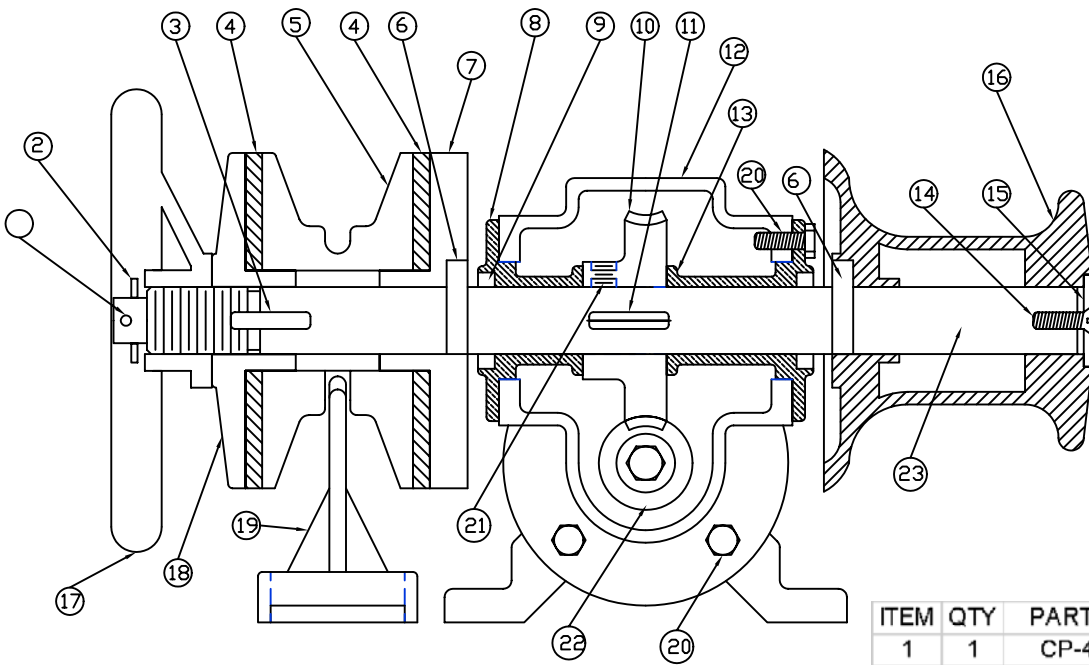


PARTS LIST
MODEL CWM
AND H1F



ITEM	QTY	PART #	DESCRIPTION
1	1	CP-40	COTTER PIN
2	1	RW-35	WASHER
3	1	CK-35	WILDCAT KEY
4	2	CWM-9	FRICITION DISC
5	1	CWM-10	WILDCAT
6	2	DP-35	DRIVE PIN
7	1	CWM-8	INNER FRICTION PLATE
8	1	AM-16	SHORT BEARING CAP
9	2	OS-35	OIL SEAL
10	1	AM-12	WORM GEAR
11	1	WK-35	WORM KEY
12	1	CAM-1	GEAR CASE
13	1	AM-16A	LONG BEARING CAP
14	1	CS-10	CAPSTAN SCREW
15	1	CW-10	CAPSTAN WASHER
16	1	CWA-2	CAPSTAN
17	1	CHWS0-8	RELEASE WHEEL
18	1	CWM-15	OUTTER FRICTION PLATE
19	1	CWM-13A	CHAIN STRIPPER
20	9	FA-35	HEX BOLTS
21	2	SS-35	SET SCREWS
22	1	A-20	MOTOR WORM
23	1	CWM-5	MAIN SHAFT
24	1	CP-35	COTTER PIN
25	1	GT-3	THRUST BEARING
26	1	AM-3	END BELL
27	1	RN-35	RETAINING NUT
28	1	WK-09	MOTOR WORM KEY
29	1	SO-12	SOLENOID non-reversing
29	1	SO-12 REV	SOLENOID reversing
30	1	FSB	FOOTSWITCH
31	1	MM-350-12	MOTOR W/OUT GEAR & BRG
31	1	MMC-350-12	MOTOR W/ GEAR & BRG
32	1	MM-87	OIL SEAL
33	1	FSB-1B	RUBBER COVER
34	1	FSA-3	MOUNTING RING
35	2	FSA-7	ELEMEMENT RETAINING NUT
36	1	ELM-DC	SWITCH ELEMENT
37	1	FSA-2	MOUNTING PLATE
38	6	FSA-6SS	MOUNTIING SCREWS